



7C Series Ball Valves

Rated to 6000 psi

Multiple Connection Sizes

Low Operating Torque

SAFETY. INTEGRITY. RELIABILITY.



HOKE® 7C Series Ball Valve

HOKE's 7C ball valve is designed for a range of media up to 6,000 psi. Its internally loaded blow-out proof stem and floating ball for positive shut-off along with its other features offer a robust, compact and easy to operate valve solution. The 7C is available in ¼" thru 1" NPT connections. Please consult factory for additional material options and/or end connections.

DESIGN FEATURES

- Female NPT sizes ¼", ⅜", ½", ¾" and 1"
- Working pressures up to 6,000 psi
- Maximum operating temperature 150 C°
- Internally loaded blow-out proof stem
- Floating ball for positive shut-off
- Low operating torque
- Smooth ¼ turn actuation
- 316 SS to NACE MR-01-75/ISO 15156
- Replaceable seats & seals
- Full material traceability
- Special High Tolerance NPT thread
- Locking Kit Optional (-LT Suffix)

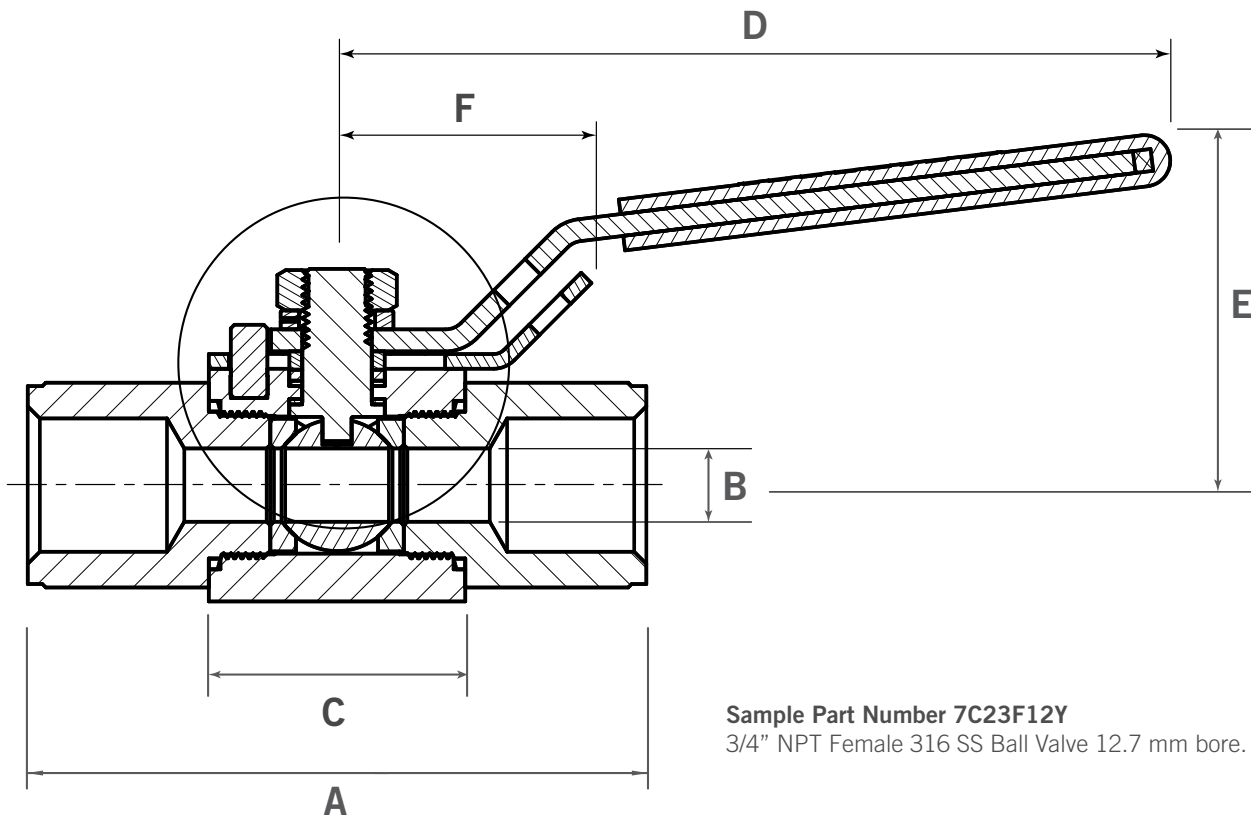
TYPICAL APPLICATIONS

- Controls & instrumentation isolation and venting
- Hydrocarbon Gas & Liquid service
- Hydraulic applications
- Wellhead Control Panels
- Chemical Injection Skids
- Utility services



7C Series Ball Valve

Technical Specifications



Specifications and dimensions in inches and (millimeters)

For reference only and subject to change

Valve PN	Description	A	B	C	D	E	WT Kgs	CV _{US}
7C23F4Y	1/4" F NPT	2.76 (70)	.39 (10)	1.26 (32)	4.52 (115)	1.85 (47)	0.457	7.5
7C23F6Y	3/8" F NPT	2.99 (76)	.39 (10)	1.26 (32)	4.52 (115)	1.81 (46)	0.463	7.5
7C23F8Y	1/2" F NPT	3.31 (84)	.39 (10)	1.25 (31.8)	4.48 (114)	1.81 (46)	0.501	7.5
7C23F12Y	3/4" F NPT	3.50 (89)	.50 (12.7)	1.25 (31.8)	4.48 (114)	1.93 (49)	0.755	12.0
7C23F16Y	1" F NPT	4.37 (111)	.75 (19.05)	2.0 (50.8)	7.72 (196)	2.72 (69)	1.669	32.0

For locking handle option, add -LT to valve part number.

Custom Options

Please consult factory for other materials, bore sizes, handle options and connection options.

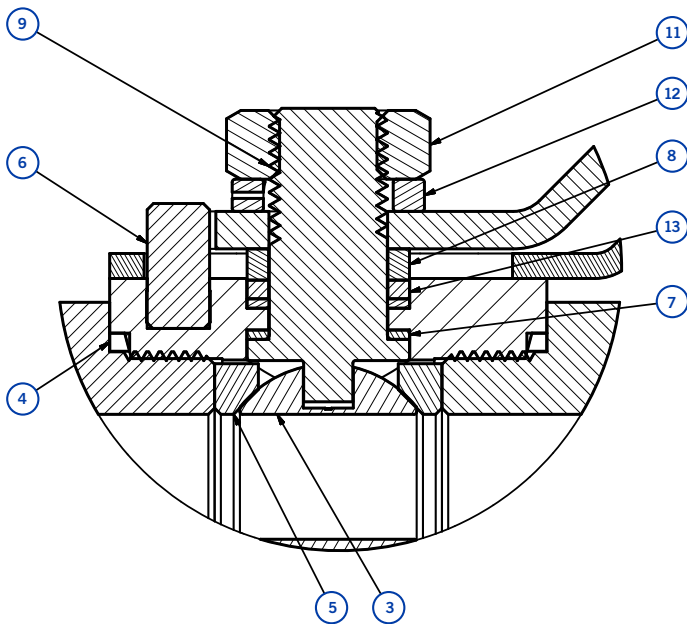
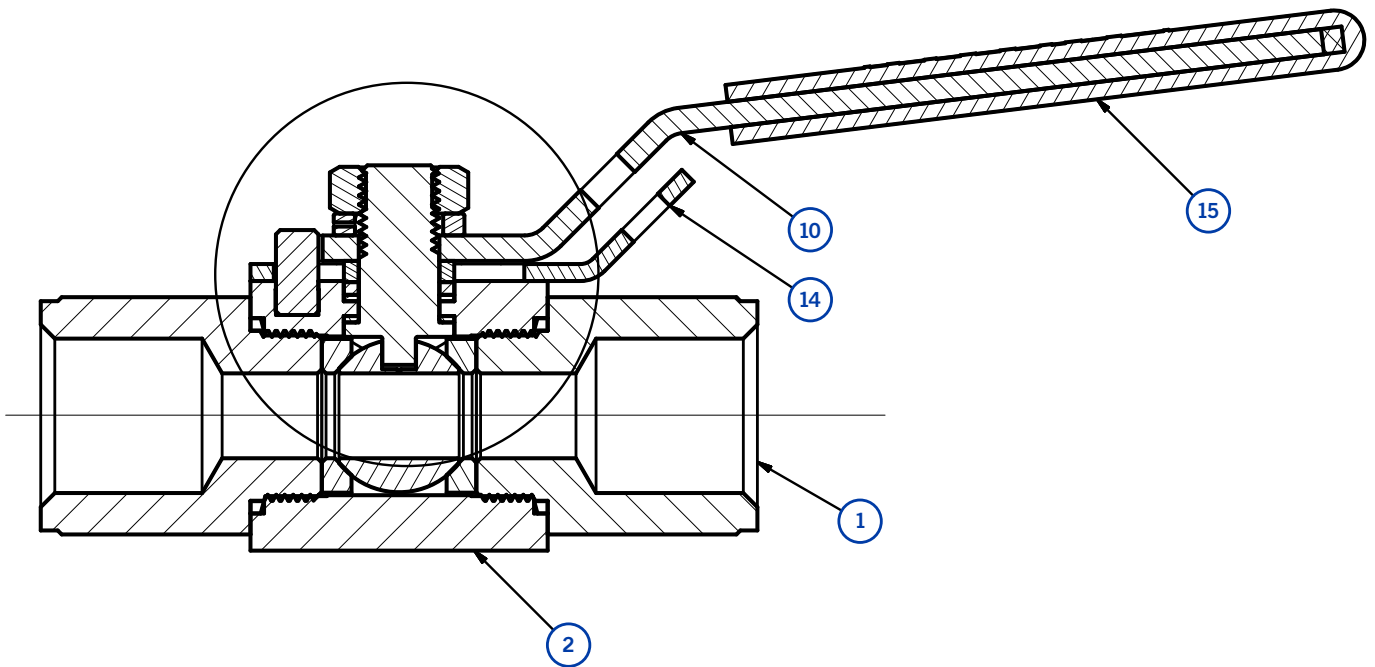
The actual pressure ratings for any alternative option will vary from those stated – please consult with factory for your specific requirements.

The specification of any alternative material, connection or tubing is critical to the overall performance of the system.

Caution should be exercised by the user to ensure proper selection in accordance with actual operating or design conditions.

Materials of Construction

7C Series Ball Valve with Optional Locking Kit



PARTS LIST

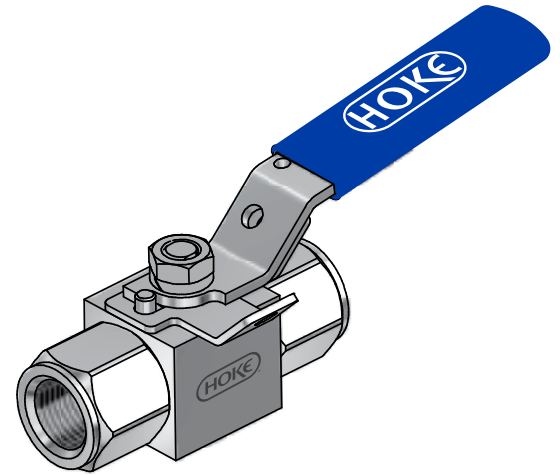
ITEM	QTY	DESCRIPTION	MATERIAL
1	2	1/2" NPT ENDCAP	AISI 316 SS
2	1	1/2" BODY	AISI 316 SS
3	1	1/2" BALL	AISI 316 SS
4	2	1/2" BODY SEAL	PTFE
5	2	1/2" SEAT-PVDF	PVDF
6	1	STOP PIN PANEL MOUNT	AISI 316 SS
7	2	1/2" STEM SEAL	RTFE
8	1	STD STEM SPACER	AISI 316 SS
9	1	1/2"STEM	AISI 316 SS
10	1	1/2" R H LEVER HANDLE	AISI 316 SS
11	1	3/8 UNF HALF NUT	A4 St Steel
12	1	3/8 SQ SECT SPRING WASHER	A4 St Steel
13	1	ACTUATED STEM SPACER	AISI 316 SS
14	1	D15 LOCKING KIT PLATE	AISI 316 SS
15	1	SMALL BLUE SLEEVE-HOKE	PVC Plastic

Sample Part Number 7C23F8Y-LT

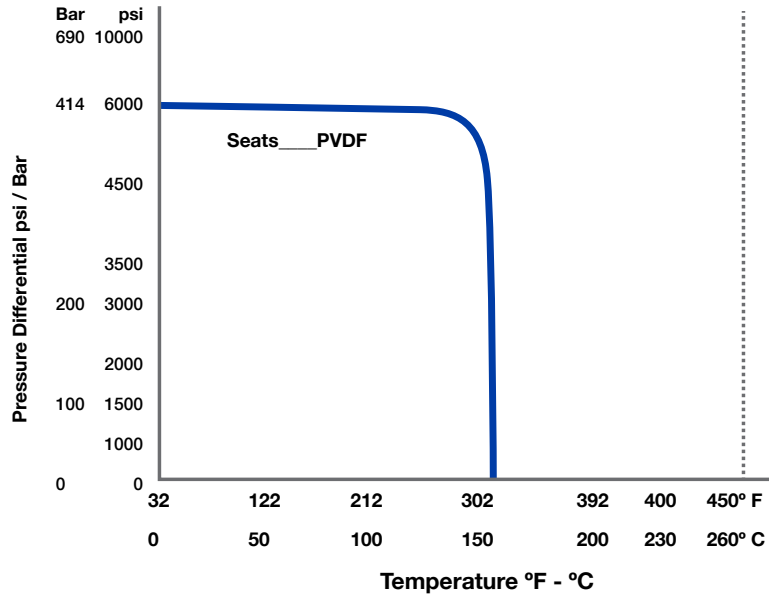
1/2" NPT Female 316 SS Ball Valve 10 mm bore.

7C Series Ball Valve

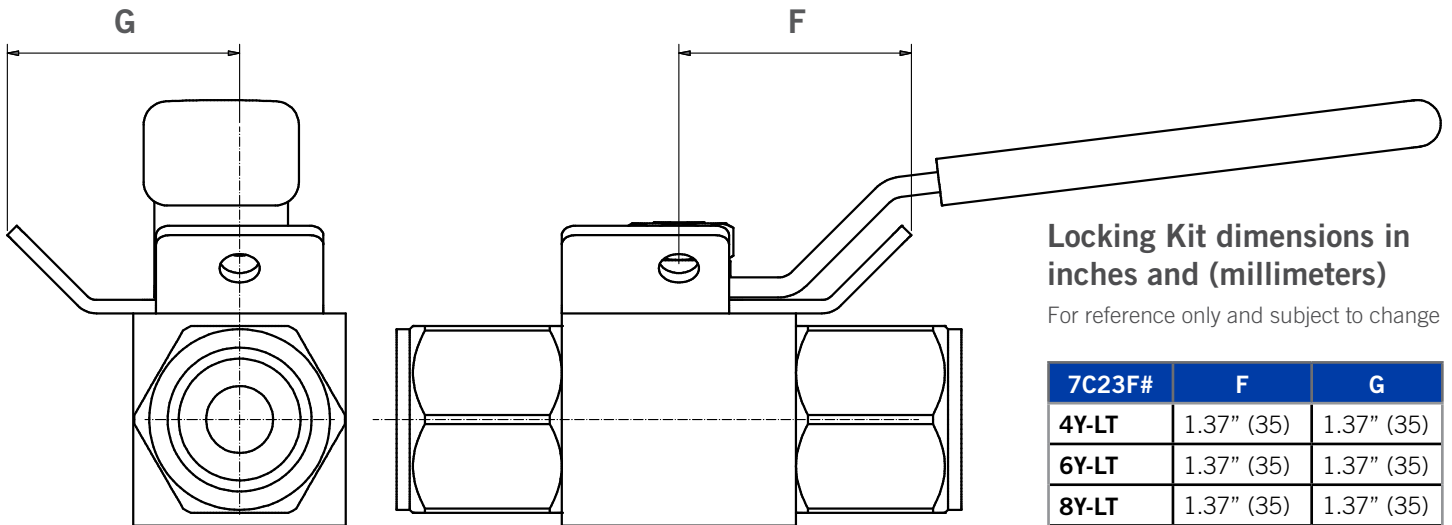
Technical Specifications



7C Series Pressure / Temperature Graph



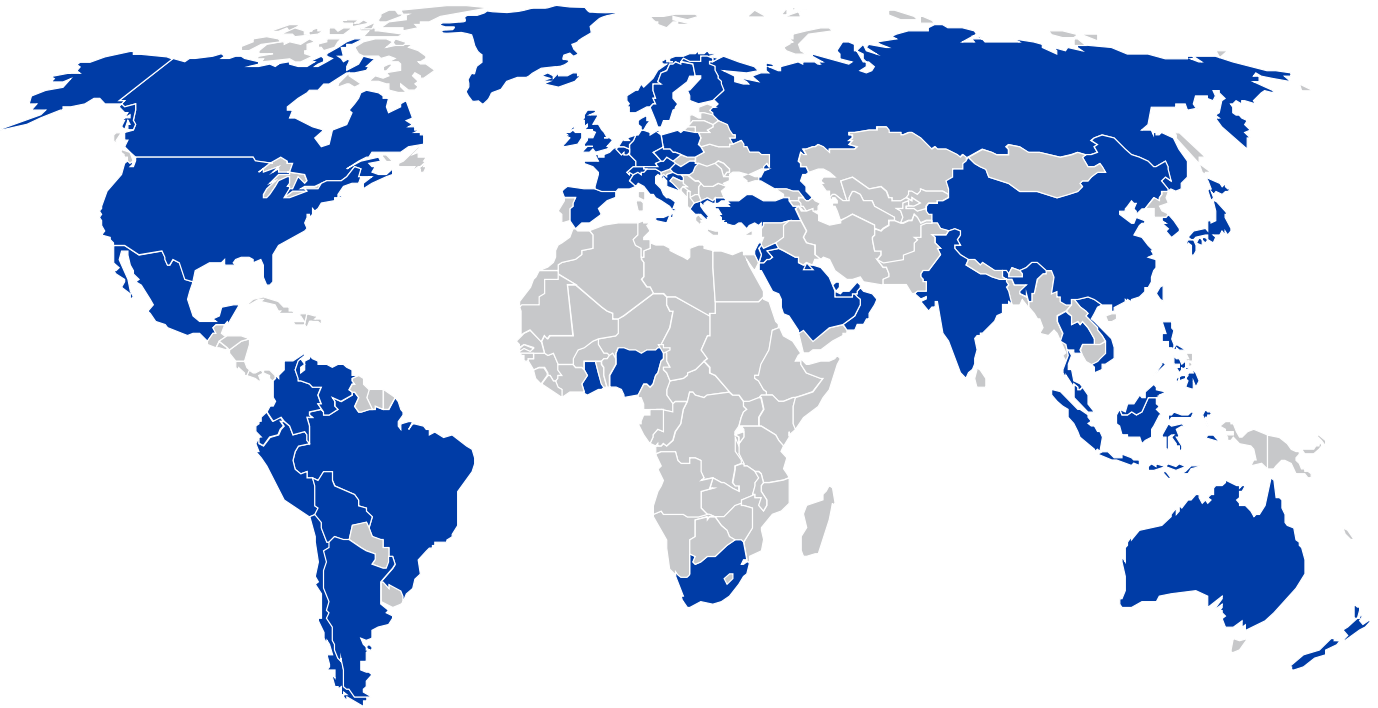
TECHNICAL DATA		
MAX. OPERATING PRESSURE	6000 PSI	414 BAR
MAX OPERATING TEMPERATURE	302 °F	150 °C
MIN OPERATING TEMPERATURE	-22 °F	-30 °C
BASIC MATERIAL	316 STAINLESS STEEL	



Locking Kit dimensions in inches and (millimeters)

For reference only and subject to change

7C23F#	F	G
4Y-LT	1.37" (35)	1.37" (35)
6Y-LT	1.37" (35)	1.37" (35)
8Y-LT	1.37" (35)	1.37" (35)
12Y-LT	1.37" (35)	1.37" (35)
16Y-LT	1.89" (48)	1.89" (48)



The HOKE® Brand is just one product offering manufactured and supplied by CIRCOR Instrumentation Technologies, an ISO 9001:2008 registered facility headquartered in Spartanburg, SC, USA, a division of CIRCOR International (NYSE:CIR).

HOKE distributors are worldwide.

Contact us or visit our website to locate the nearest distributor to assure your projects are consistently implemented across the globe with the greatest Safety, Integrity and Reliability.



PO Box 4866
Spartanburg, SC 29305-4866
Tel +1-864-574-7966
Fax +1-864-587-5608
www.hoke.com
sales-hoke@circor.com

Our headquarters and manufacturing facilities are located at:
405 Centura Ct.
Spartanburg, SC, USA,
29303-6603