



# 2700 Series

Bar Stock, Screwed Bonnet Needle Valves for Sour Gas Service

Featuring packing below the stem threads, nonrotating metal stem tip, hardened thread gland and a 316 stainless steel body, these valves are well suited for sour gas applications as well as other severe service applications.



## Typical Applications

- Refineries
- Chemical processing
- Oil and gas exploration

## Technical Data

<b>BODY</b>	316 stainless steel
<b>MAXIMUM OPERATING PRESSURE</b>	6000 psig @ 70° F (414 Bar @ 21° C)
<b>OPERATING TEMPERATURE RANGE</b>	-65° to +450° F (-54° to +232° C)
<b>ORIFICE</b>	0.187" (4.8 mm)
<b>Cv FACTOR</b>	0.60
<b>END CONNECTIONS</b>	½" female x ½" female NPT

## Features & Benefits

### Safety

- Lock pin secures packing nut against accidental removal

### Sour gas service

- Materials offer corrosion-resistant properties where hydrogen sulfide is present.

### Corrosion resistance

- All wetted parts constructed of high chrome, high nickel austenitic stainless steel provide uniform chemical corrosion properties

### Helps eliminate fugitive emissions

- Dyna-Pak® packing below the stem threads prevents fluid from contacting stem threads

### Extended cycle life

- Nonrotating 17-4PH stainless steel stem tip and XM-19 stainless steel stem prevent galling

### Reliability

- All valves are tested for bubble-tight leakage at both seat and packing
- Special High Tolerance NPT Thread

needle valves

## HOKE Incorporated

405 Centura Court • PO Box 4866 • Spartanburg, SC 29303

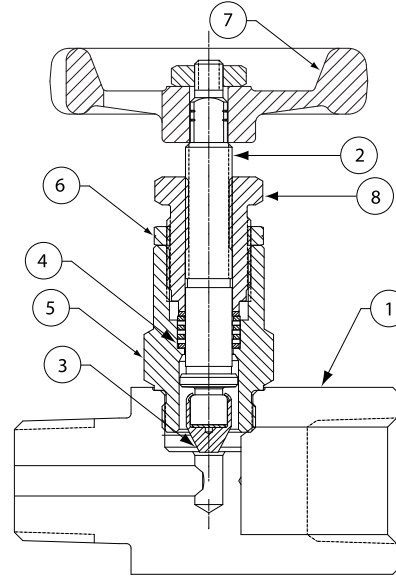
Phone (864) 574-7966 Fax (864) 587-5608

www.hoke.com • sales@hoke.com

# 2700 Series

## Materials of Construction

DESCRIPTION	MATERIALS
1 Body	316 stainless steel
2 Stem	XM-19 stainless steel
3 Stem tip	17-4PH stainless steel
4 Stem packing	TFE/316 stainless steel wafers
5 Bonnet	XM-19 stainless steel
6 Lock nut	316 stainless steel
7 Handle	Aluminum
8 Packing nut	XM-28 stainless steel

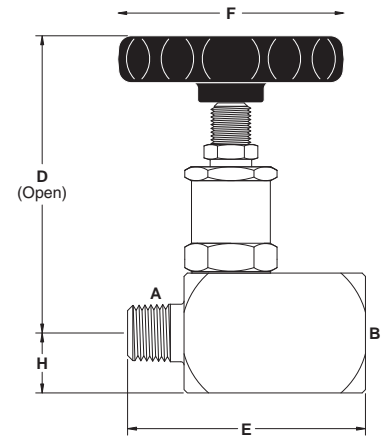


## Dimensions

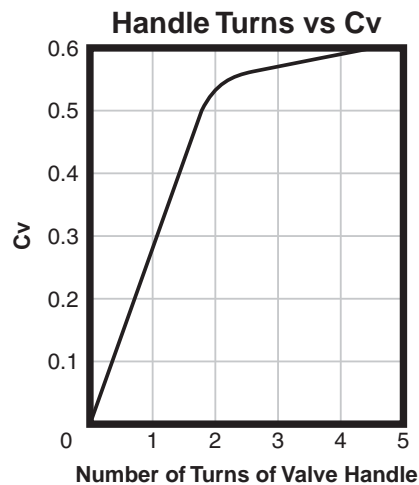
### 2700 Series: Globe Pattern

INLET A	OUTLET B		D	E	F	H
½" male NPT	½" female NPT	inch	3⅞	2⅞	2⅞	⅝
		mm	78	65	54	16
½" female NPT	½" female NPT	inch	3⅞	2½	2⅞	⅝
		mm	78	64	54	16

Dimensions for reference only, subject to change.

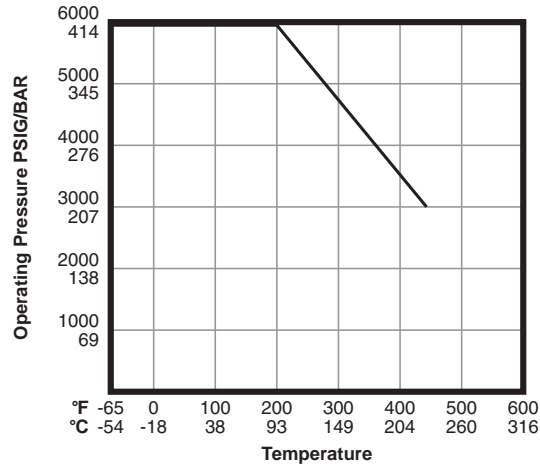


## Flow Curve



# 2700 Series

## Pressure vs. Temperature Curve



## How to Order: Standard Valves

### 2700 Series: Globe Pattern

17-4PH stainless steel stem tip

0.187" (4.7mm) orifice/0.60 Cv

END CONNECTIONS		ORDER BY PART NUMBER*
INLET	OUTLET	316 STAINLESS STEEL
½" male NPT	½" female NPT	2732L8YX
½" female NPT	½" female NPT	2732F8YX

\* It is the end-user's responsibility to determine if this product is compatible with their sour gas application. Contact HOKE for information concerning properties.



2732L8Y: Globe pattern

## Ordering Options

### Spare Parts

Spare parts and repair kits are available for all needle valves. Please contact your distributor for specific information.

### Cleaning and Testing

When ordering, please specify if oxygen cleaning or helium leak testing is required.

### Additional Sizes

Additional sizes and options are available on special request. Please consult your local HOKE distributor.