

GO REGULATOR, INC.

A division of CIRCOR International, Inc.

PR-7ULF Series Pressure Reducing Regulator



The PR-7ULF Series pressure reducing regulator is designed to furnish ultra precise low outlet pressure control to analytical instrumentation. With the combination of the large diaphragm sensing area of the PR-7 Series regulator and a super low flow valve seat assembly, pressure control down to 1 inch of water at 2 cc of flow is easily obtainable.

Features & Specifications

- Gas service
- 316L stainless steel or Brass (alloy 360) construction
- Teflon® / Viton® diaphragm
- Electropolished body (316L) with better than 25 Ra finish in diaphragm cavity
- 20 micron inlet filter
- Bubble tight shutoff
- Outlet pressure ranges are 0–6, 0–25, 0–50, and 0–100 psig
- Viton® seat
- 0.004 C_v flow coefficient

2301 Wardlow Circle
Corona, CA 92880
tel 909.270.6200
fax 909.270.6201
www.goreg.com
sales@goreg.com

PR-7ULF Series

Pressure Reducing Regulator

How to Order

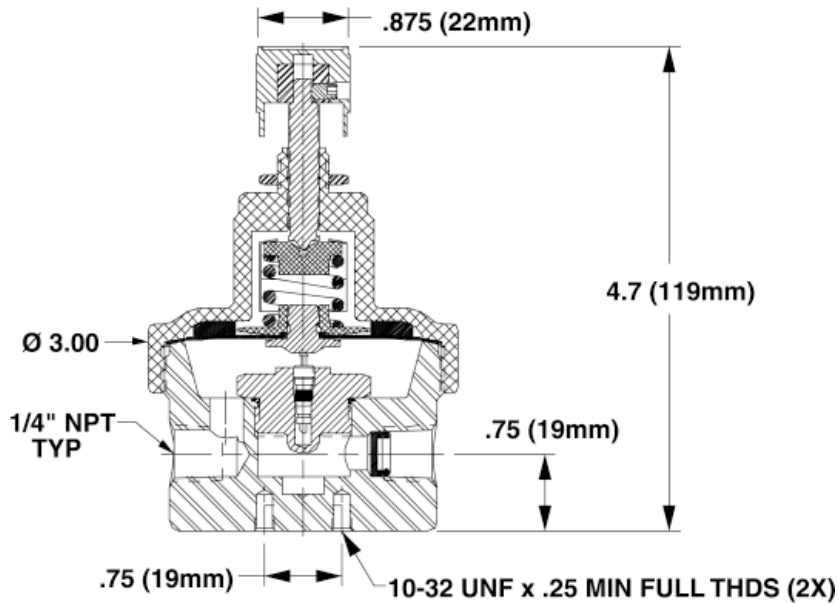
See page 3 for standard configurations. For additional configurations, consult the factory.
See page 4 for port locations.

Maximum Temperature & Operating Inlet Pressures

Seat Material	Maximum Temperature	@	Maximum Operating Inlet Pressure
Viton®	120° F(49° C)	@	250 psig (1.73 MPa)

Viton® is a registered trademark of Dupont Corporation.

Outline and Mounting Dimensions



Weight - 3.2 lbs (1.45 kg)

PR-7ULF Series - Pressure Reducing Regulator

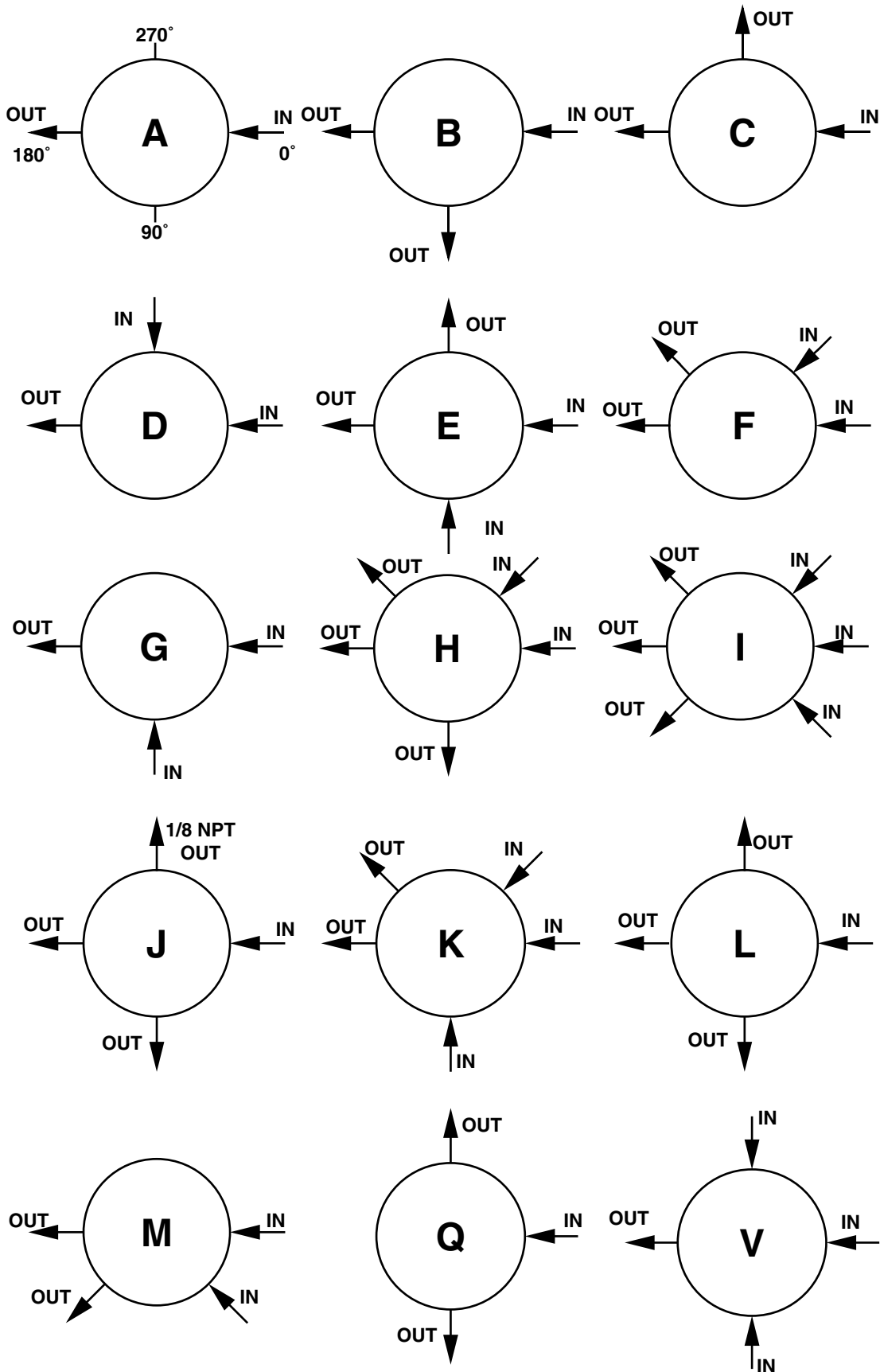
Material of Body	
1	SS 316L
2	Brass
Port Configuration (see page 4) STANDARD BODY "A" (ONE INLET PORT AND ONE OUTLET PORT)	
A	
Process port types (gauge port type, if specified)	
0	1/8" FNPT (1/8" FNPT Gauge Ports)
1	1/4" FNPT (1/4" FNPT Gauge Ports)
Surface Finish of Diaphragm Cavity	
1	<25 Ra
Vent Valve	
0	No
1	Yes
Diaphragm Type	
1	Standard
Diaphragm Material	
1	Viton
6	Tefzel Ring/SS
Cap Assembly	
4	Hand Knob, 1 3/8" Panel Mount, S.S.
5	Captured Vent, Aluminum
6	Captured Vent, Panel Mount, Aluminum
7	Captured Vent, S.S.
8	Tamper Proof, S.S.
9	Fine Adjust, 1/2" Panel Mount, Aluminum
0	Fine Adjust, 1 3/8" Panel Mount, S.S.
Y	Hand Knob, S.S.
Output Range	
B	0 - 6 Psig
D	0 - 25 Psig
E	0 - 50 Psig
G	0 - 100 Psig

PR7U -

--	--	--	--	--	--	--	--	--

Material
Port Config.
Port Style
Cavity Finish
Vent Valve
Diaphragm Type
Diaphragm Material
Cap Assembly
Output Range

PORT LOCATIONS (SINGLE STAGE PRESSURE REGULATOR)



LOCATION OF PORTS FROM TOP VIEW